




850nm 20mw~30mw SM Coaxial Pigtailed Laser Diode with SMF | With PD

850nm SM Fiber Coupled LD with Single Mode Fiber (SM Fiber) | Built-in Photodiode

WSLP-850-030m-4-PD

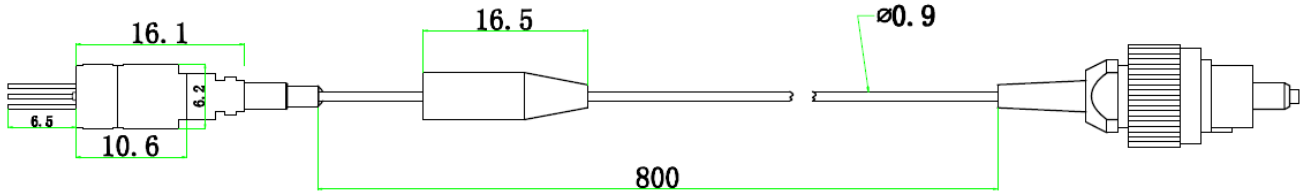
Wavespectrum Laser Group

www.wavespectrum-laser.com

850nm Pigtailed Diode Laser		20~30mW/SM Fiber		Wavespectrum Laser Group	
PARAMETER	SYMBOL	VALUE	UNIT		
Reverse Voltage	V_r	2.0	V		
Operating Temperature	T_{op}	-20~+50	°C		
Storage Temperature	T_{stg}	-40~+80	°C		
Lead soldering temperature (5 sec.)	T_{is}	250	°C		
Features: <ul style="list-style-type: none"> 850nm With SM Fiber Coaxial Package Built-in PD 					
Applications: <ul style="list-style-type: none"> Medical laser treatment Sensor Others 					
Specifications		WSLP-850-030m-4-PD			
	Min	Type	Max		
Center Wavelength@25°C	840nm	850nm	858nm		
Recommend Operating Temperature	25°C				
Output Power	----	20mw	30mw		
Fiber Type	Single Mode Fiber				
Fiber Core	5um				
Monitor Current	----	0.25mA	----		
PD Reverse Voltage	----	30V	----		
Fiber Connector	FC				
Fiber Length	----	80cm	100cm		
Threshold Current (Typ.)	----	30mA	50mA		
Operating Current (Typ.)	----	150mA	170mA		
Operating Voltage	----	2.0V	2.4V		
Package Style	Coaxial				
Photodiodes	Built-in				

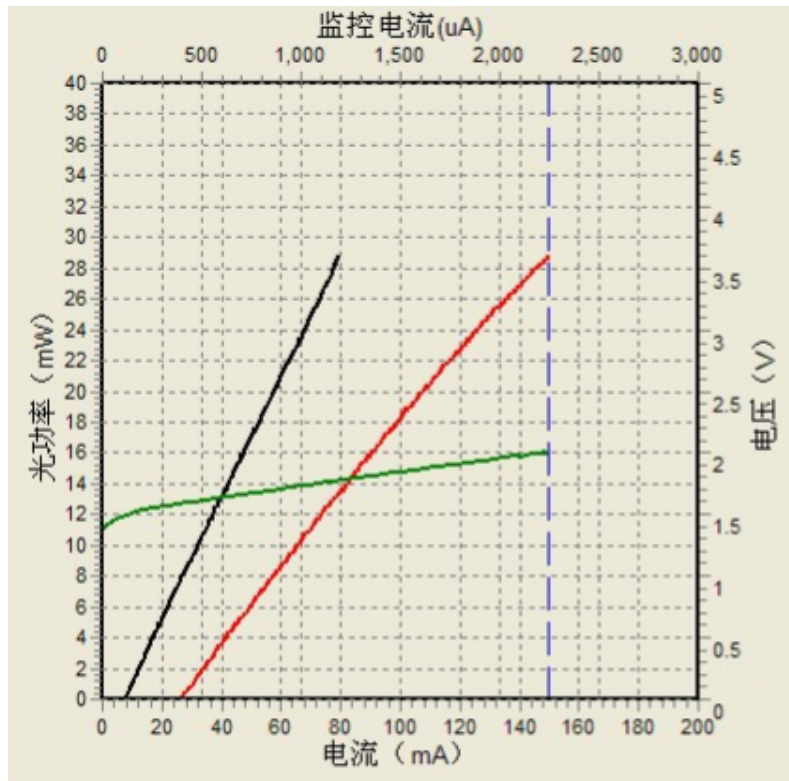


Coaxial Package View

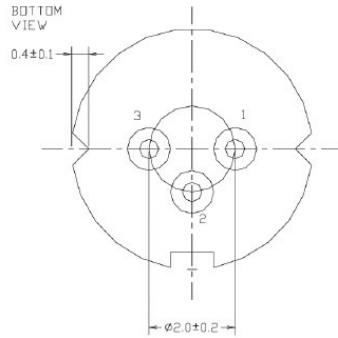


单位: mm

PVI Curve



PIN Bottom View:



1	LD(+)
2	LD(-)&PD(+)
3	PD(-)

Electrically shorten LD module and store in non-extreme conditions.
 Suggest using the constant current power supply.



Wavespectrum Laser, Inc.
www.wavespectrum-laser.com
wavespectrumlaser@gmail.com

