


685nm~690nm 20mW SM Coaxial Pigtailed Laser Diode with SMF

685nm Fiber Coupled LD with Single Mode Fiber (SM Fiber)

WSLP-685-020m-4-PD

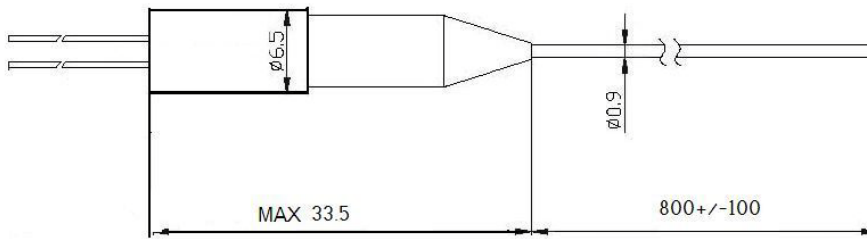
Wavespectrum Laser Group

www.wavespectrum-laser.com

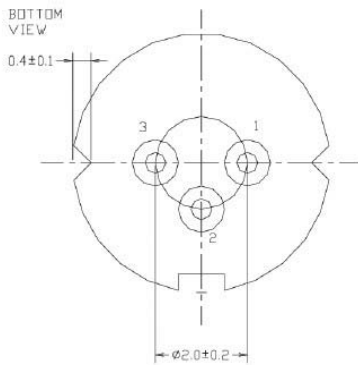
685nm Pigtailed Diode Laser		20mW/SM Fiber		Wavespectrum Laser, Inc	
PARAMETER	SYMBOL	VALUE	UNIT		
Reverse Voltage	V_r	2.0	V		
Operating Temperature	T_{op}	-10~+60	°C		
Storage Temperature	T_{stg}	-40 ~ +85	°C		
Lead soldering temperature (10 sec.)	T_{is}	260	°C		
Features: <ul style="list-style-type: none"> • 685nm • SM Fiber • Coaxial package • Built-in PD 					
Applications: <ul style="list-style-type: none"> • Medical laser treatment • Others 					
Specifications	WSLP-685-020m-4-PD				
	Min	Type	Max		
Center Wavelength@25°C	670nm	685nm	700nm		
Recommend Operating Temperature	25°C				
Output Power	----	20mW	----		
Fiber Type	Single Mode Fiber				
Fiber Core	4um				
Monitor Current	----	0.15mA	----		
PD Reverse Voltage	----	30V	----		
Fiber Connector	FC				
Fiber Length	----	80cm	100cm		
Threshold Current (Typ.)	----	30mA	60mA		
Operating Current (Typ.)	----	110mA	140mA		
Operating Voltage	----	2.4V	3.0V		
Package Style	Coaxial				
Photodiodes	Built-in				



Coaxial Package View



PIN Bottom View:



1	LD(-)
2	LD(+)&PD(-)
3	PD(+)

Electrically shorten LD module and store in non-extreme conditions.
Suggest using the constant current power supply.

