


1550nm 20mW DFB laser diodes | TO18 5.6mm LD | With Flat Window

1550nm 20mw Single Mode LD

WSLD-1550-020m-1-PD-F

Wavespectrum laser Group

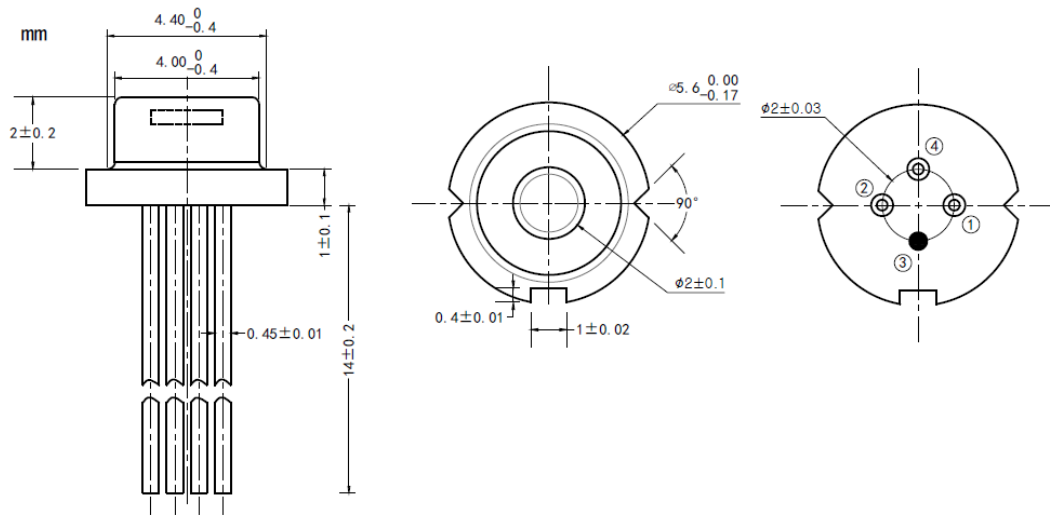
www.wavespectrum-laser.com

1550nm Laser Diode		20mw	single mode /DFB	Wavespectrum Laser Group
Reverse Voltage	V_r	2.0		V
Operating Temperature	T_{op}	-20 ~ +45		°C
Storage Temperature	T_{stg}	-40 ~ +85		°C
Lead soldering temperature (10 sec.)	T_{is}	260		°C
Features: <ul style="list-style-type: none"> • 1550nm • DFB • Single Mode • Flat window • TO18 package 				
Applications: <ul style="list-style-type: none"> • Optical Fiber Communication • Free-space Optical Communication 				
Specifications		WSLD-1550-020m-1-PD-F		
Center Wavelength@25°C		1550+/-5nm		
Output Power		20mw		
Spectral Width (FWHM)		0.3nm		
Laser Type		DFB		
Monitor Current		1mA		
Beam Divergence (FWHM)		$20^\circ \perp \times 9^\circ //$		
Threshold Current (Typ.)		10mA		
Operating Current (Typ.)		90mA		
Operating Voltage		1.3V		
Package Style		TO18		
Window Type		Flat Window		

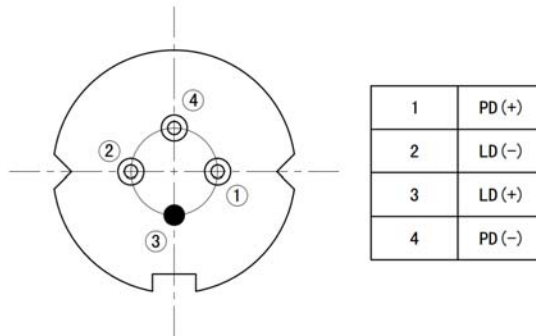
Modulation Frequency upto 2GHz



Package View



PIN Bottom View:



Electrically shorten LD module and store in non-extreme conditions.
 Suggest using the constant current power supply.

