

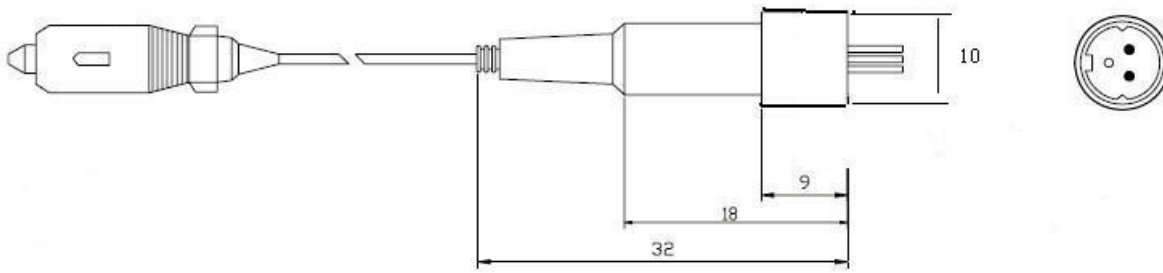
1064nm 50mW SM Coaxial Pigtailed Laser Diode with PMF
1060nm~1064nm SM Fiber Coupled LD with Polarization Maintaining Fiber (PM Fiber)
WSLP-1064-050m-PM-PD
Wavespectrum laser Group
www.wavespectrum-laser.com

1064nm Pigtailed Diode Laser		50m W/PM Fiber		Wavespectrum Laser, Inc	
PARAMETER	SYMBOL	VALUE	UNIT		
Reverse Voltage	V_r	2.0	V		
Operating Temperature	T_{op}	-20 ~ +50	°C		
Storage Temperature	T_{stg}	-40 ~ +80	°C		
Lead soldering temperature (10 sec.)	T_{is}	250	°C		
Features: <ul style="list-style-type: none"> • 1064nm • PM Fiber • Coaxial package • Built-in PD 					
Applications: <ul style="list-style-type: none"> • Medical laser treatment • Fiber Laser • Others 					
Specifications		WSLP-1064-050m-PM-PD			
	Min	Type	Max		
Center Wavelength@25°C	1052nm	1064nm	1069nm		
Recommend Operating Temperature	25°C				
Output Power	----	50mw	----		
Fiber Type	PM Fiber				
Fiber Core	6um				
Monitor Current	----	0.5mA	----		
PD Reverse Voltage	----	30V	----		
Fiber Connector	FC				
Fiber Length	----	80cm	100cm		
Threshold Current (Typ.)	----	35mA	75mA		
Operating Current (Typ.)	----	170mA	200mA		
Operating Voltage	----	1.5V	2.2V		
Package Style	Coaxial				
Photodiodes	Built-in				

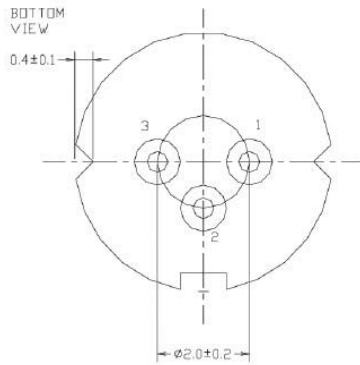


Coaxial Package View

Unit: mm



PIN Bottom View:



1	LD(+)
2	LD(-)&PD(+)
3	PD(-)

Electrically shorten LD module and store in non-extreme conditions.
 Suggest using the constant current power supply.

