


830nm 50mw~60mw Coaxial Pigtailed Laser Diode|

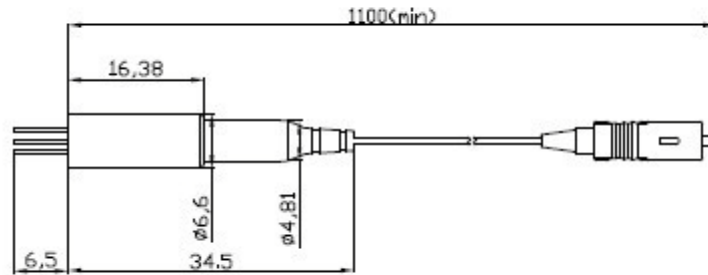
830nm Fiber Coupled LD with MMF| Built-in PD| 50um 60um 105um MM Fiber

WSLP-830-050m-M-PD

830nm Pigtailed Diode Laser		50mW/MM Fiber		Wavespectrum Laser, Inc	
PARAMETER	SYMBOL	VALUE	UNIT		
Reverse Voltage	V_r	2.0		V	
Operating Temperature	T_{op}	-10~+50		°C	
Storage Temperature	T_{stg}	-40 ~ +85		°C	
Lead soldering temperature (10 sec.)	T_{is}	260		°C	
Features: <ul style="list-style-type: none"> • 830nm • MM Fiber • Coaxial package • Built-in Photodiode 					
Applications: <ul style="list-style-type: none"> • Medical laser treatment • Sensor 					
Specifications		WSLP-830-050m-M-PD			
	Min	Type	Max		
Center Wavelength@25°C	820nm	830nm	840nm		
Spectral Width (FWHM)	----	----	----		
Output Power	----	50mw	60mw		
Fiber Core	62.5um (50um 105um Optional)				
Recommended Operating Temperature	25°C				
Monitor Current	----	0.5mA	----		
PD Reverse Voltage	----	30V	----		
Fiber Connector	FC (SMA905 Optional)				
Fiber Length	----	80cm	100cm		
Threshold Current (Typ.)	----	45mA	55mA		
Operating Current (Typ.)	----	120mA	140mA		
Operating Voltage	----	2.2V	2.5V		
Package Style	Coaxial				

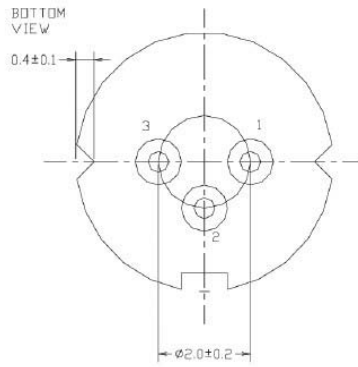


Coaxial Package View



单位: mm

PIN Bottom View:



1	LD(-)
2	LD(+)&PD(-)
3	PD(+)

Electrically shorten LD module and store in non-extreme conditions.
Suggest using the constant current power supply.



Wavespectrum Laser, Inc.
www.wavespectrum-laser.com
wavespectrumlaser@gmail.com

